

Pedestals Cargo technical specification



.mdd

.mdd has a leading position among manufacturers of office furniture with many awards that prove quality and continuously increase demand for it's products.

The realities of today`s market require constant quality improvement at all levels of modern organization. This applies in particular to customer service, marketing, quality of products and also to quality of processes within the company.

Partnership relations among employees and with business partners form a base of economic growth and success of the company.

Constant investments in innovative machinery park, optimization of management systems and an expansion of production halls allow to minimize the lead times for the product of the highest quality.

More than twenty years of experience in office furniture industry come with reference from a long list of companies and institutions to show their appreciation for an efficient and comprehensive service.

.mdd is higly aware of the environment.

Being located in the forest region with lake by itis side, .mdd takes the nature seriously and invests constantly in a modern and energy-efficient solutions to preserve the local life. Company puts emphasis on waste segregation and recycling. .mdd has been awarded for the exceptional care and involvement in waste disposal. All materials used are environmentally friendly and enjoy a high 95 % rate of being recycled.



General informations:

Warranty:

.mdd products – **5 years.**

Electrical components and fabric – **2 years.**

Certificate - MFC:



Compliant with standards:

PN-EN 14073-2:2006

Boards density:

12 mm - 690 - 750 kg/m³

18 mm - 650 - 690 kg/m³

28 mm - 610 - 630 kg/m³

36 mm - 610 - 630 kg/m³

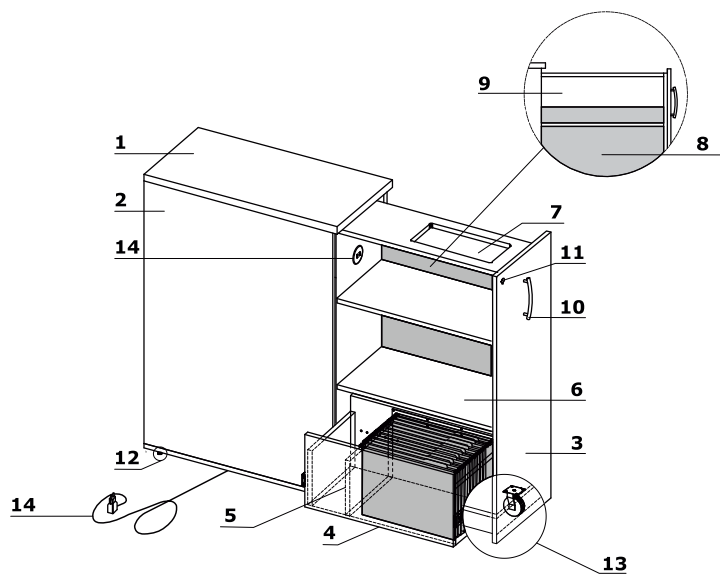
Assembly:

the product comes pre-assembled

Packing:

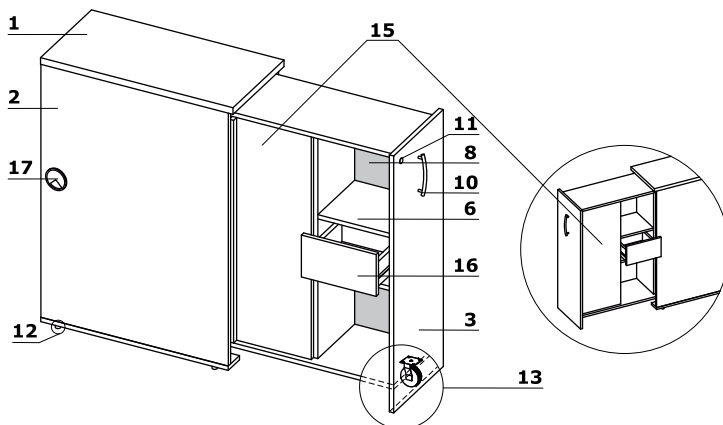
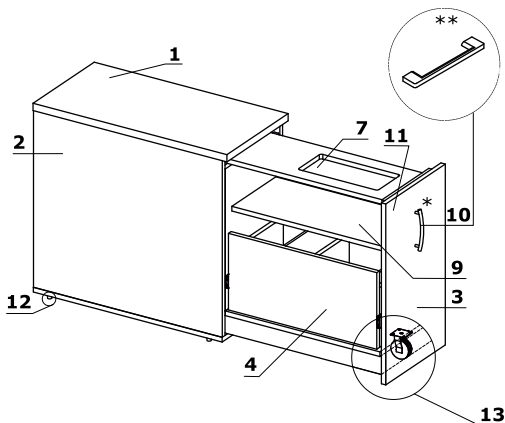
cardboard

Pedestals Cargo

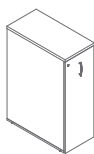


- 1. Top - MFC 28 mm, ABS edge
- 2. Body - MFC 18 mm, ABS edge
- 3. Front - MFC 18 mm, ABS edge
- 4. **OPTION WITH EXTRA CHARGE - Drawer** - MFC 18 mm, max. 35 kg load, possible extraction 100%, possibility of hanging files, ball runners
- 5. **Movable vertical partition** - allows space organization
- 6. Shelf - MFC 18 mm, protection against accidental falling-out, ABS edge
- 7. Pencil tray - plastic, colour: black
- 8. Back MFC - 18 mm
- 9. No back
- 10. Aluminum handle:
 - * Standard
 - ** **OPTION WITH EXTRA CHARGE** - handle Pro - colour: white, black, aluminium
- 11. Patent lock
- 12. Leveling - 10 mm range
- 13. Castors - Ø75 mm
- 14. **Mediabox MO9** - **OPTION WITH ADDITIONAL CHARGE** - 2x USB-A Charger 5V 2A
- 15. **OPTION WITH EXTRA CHARGE** - "dry-wipe board", colour: white
- 16. MFC drawer - ball runners, 100% extraction
- 17. Cable grommets - Ø80 mm

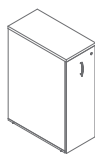
www.mdd.eu



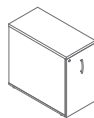
Pedestals Cargo *



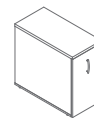
KCD81P
402 / 800 / 1129
71 kg



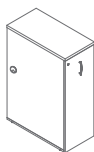
KCD81L
402 / 800 / 1129
71 kg



KCN81P
402 / 800 / 740
50 kg



KCN81L
402 / 800 / 740
50 kg



KCD82
402 / 800 / 1129
75 kg

* dimensions expressed in millimeters: width x depth x height

Pedestals Cargo	Date of preparation 26.07.2022	The data contained in this document is valid in the day of its preparation. Change of the product, as long as it does not affect the basic features of it, does not require consistent updates of the document.	page 4/5
			products

Top, base, body, front



08 Black



26 Aluminum
satinato



31 Canadian oak *



39 Polar birch *



64 Cocoa *



67 White pastel



106 Lowland
walnut *



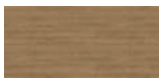
154 Anthracite



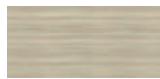
167 Grey oak *



168 Natural oak *



169 Honey oak *



170 Acacia *



171 Dark walnut *

* body - II group