

Cast Pendant



Pendant

Lighting — Product Sheet
menu.as

by Tom Chung & Jordan Murphy



Cast Pendant

Product Type

Pendant

Environment

Indoor

Dimensions (cm / in)

Shape 1:

H: 12 cm / 4,7"

Ø: 12 cm / 4,7"

Shape 2:

H: 10 cm / 3,9"

Ø: 9 cm / 3,5"

Shape 3:

H: 15 cm / 5,9"

Ø: 7 cm / 2,8"

Shape 4 (Mobile):

H: 25 / 32 cm / 9,8"/12,6"

W: 66 cm / 26"

D: 12 cm / 4,7"

Colours

Black (RAL 9005)

Grey

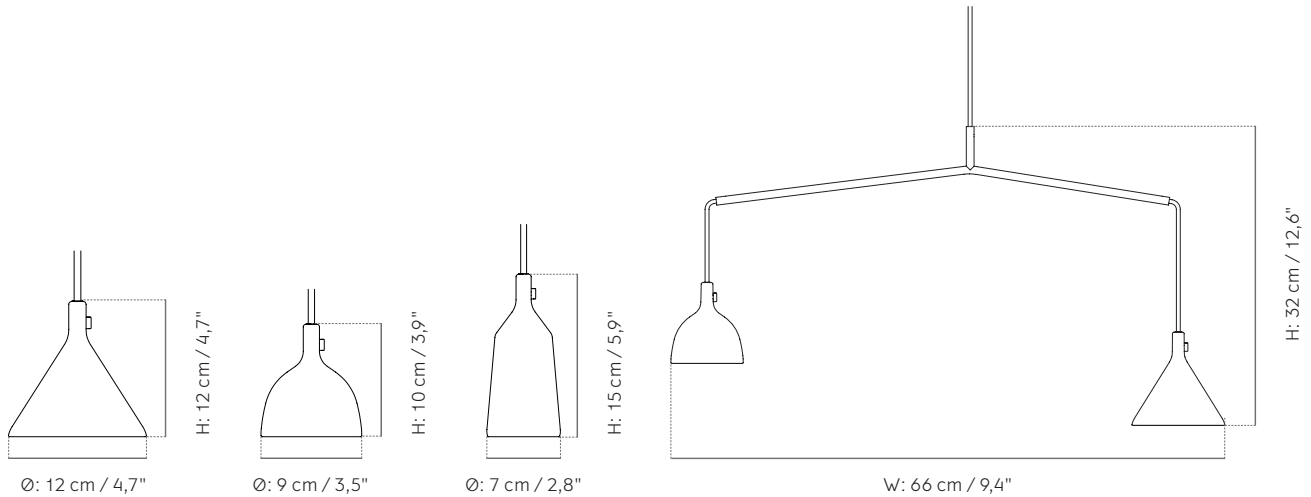


Cast Pendant takes inspiration from the traditional plumb weight – a weight hanging from a line used by masons and carpenters since Ancient Egypt to establish a true vertical. An honest light, Cast Pendant embodies MENU's philosophy of soft minimalism. Hang one lamp on its own or cluster several into an installation. The lamp is available in three variations, and a splitter allows for variety of configurations. Cast Pendant is designed for both commercial and residential use, and the use of LED technology enables a unexpected small scale, each light only measures 10-13cm tall.

About the Designer

Tom Chung is an industrial designer focused on material objects and space. He established his studio in 2015. Jordan Murphy is a designer who applies technical insight and curiosity to create simple and thoughtful objects. The two are based in Toronto, Canada and share an appreciation for functional and honest design. Cast Pendants is their first collaboration with MENU.

Cast Pendant



Production Process

Sand Casted Aluminum with a Painted Finish.

Materials

Cast Aluminum (Rough Surface)

Weight item (kg)

Shape 1: 0,7 kg

Shape 2: 0,5 kg

Shape 3: 0,8 kg

Shape 4: 1,2 kg

Voltage (V)

220V

Light Source & Energy Efficiency Class

G9 (Included) 1,5 Watt, A++, A+, A, B, C, D

Light Specification

100 lumen

2900 Kelvin

Ra > 80

Dimmer

No. The lamp can be fitted with a dimmer by a certified electrician.

Canopy

No.

Cord Material and Colour

Soft PVC, Black

Cord Length (cm / in)

400 cm / 157.5"

Classification

CE and IP20

Certifications

LVD: EN 60598-2-1:1989; EN60598-1:2015; EN 62493:2015

Packaging Type

Brown Box

Packaging Measurement (H * W * D)

Shape 1: 16,5 cm * 14,5 cm * 14,5 cm

Shape 2: 14,5 cm * 12 cm * 12 cm

Shape 3: 19 cm * 9,5 cm * 9,5 cm

Shape 4: 25,5 cm * 60 cm * 15 cm

Care Instructions

Use a soft dry cloth to clean. Do not use any cleaners with chemicals or harsh abrasives. Avoid using water.

Cast Pendant, Shape 1



Black
1210539



Grey
1210009

Cast Pendant, Shape 2



Black
1220539



Grey
1220009

Cast Pendant, Shape 3



Black
1230539



Grey
1230009

Cast Pendant, Shape 4



Black
1240539



Grey
1240009